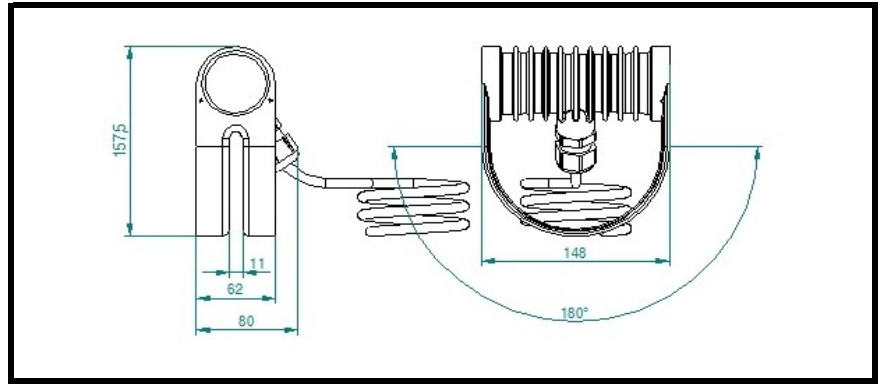


SPEKTOR

EQUUS_49_Cable



EQUUS_49_Cable

EQUUS_49_Cable_BZ_NB_3K_9W
EQUUS_49_Cable_SS_NB_3K_6W

Product description

Single body spotlight for versatile mounting in- and outdoors, also harsh environments. No visible hardware. Made of bronze(BZ) with more than 90% copper or stainless steel SS316(SS). Narrow beam(NB) TIR-lens made of PMMA. High power LED with 3000Kelvin(3K) colour temperature. Different light distributions and colour temperatures can be achieved with accessory filters.

Clear covers made of 10mm thick PMMA sealed with Silicone gaskets. Mounting slot, 11mm wide, allowing fixation and aiming with single bolt/screw.

Protection class IP67

Impact protection IK10

Ta max =40 degree Celsius

Ta life =25 degree Celsius

Wind catching area 0.01sqm

weight 1.8kg (BZ), 1.6kg (SS)

Comes pre-installed with robust 1.0m mains cable.

Electrical specifications

220-240 VAC, 50/60Hz

9W (connected power 10.1W)

6W (connected power 7.4W)

Safety class I

Accessories

SPEKTOR_49 lenses and filters

SPEKTOR_49 Snoot

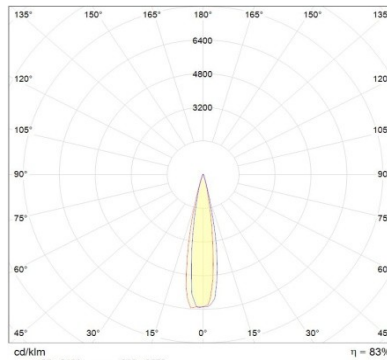
SPEKTOR_49 Glare Shield

SPEKTOR Mounting Adaptor

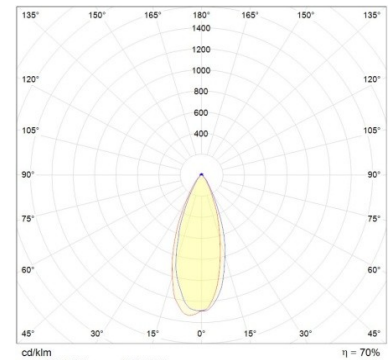
Optical specifications

CRI>=80, 3-step McAdams

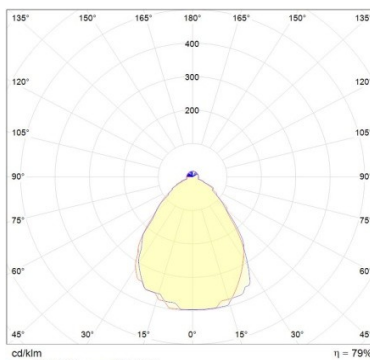
min LED Lumen flux 1511lm (15W)



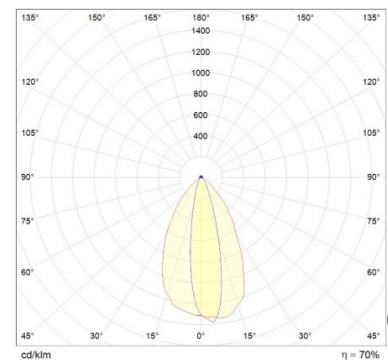
EQUUS_49



EQUUS_49+SPEKTOR_49-30x30



EQUUS_49+SPEKTOR_49-80x80



EQUUS_49+SPEKTOR_49-60x10