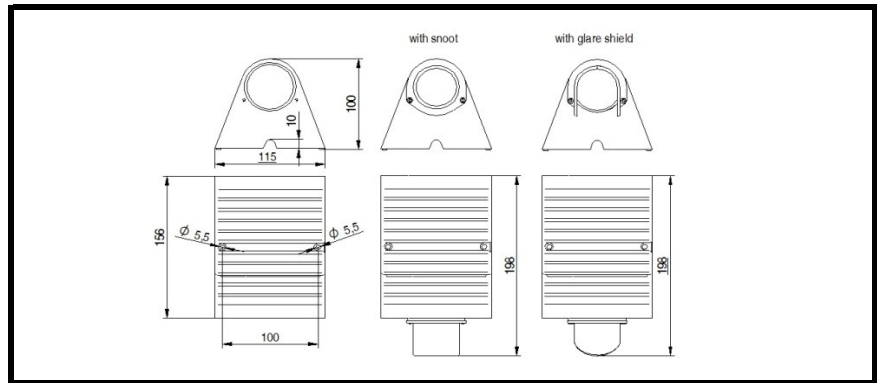


SPEKTOR

ERUCA_49



ERUCA_49

ERUCA_49_BZ_NB_3K_9W
 ERUCA_49_SS_NB_3K_9W
 ERUCA_49_BZ_NB_3K_6W
 ERUCA_49_SS_NB_3K_6W

Product description

Single body wall luminaire for in- and outdoors, also harsh environments. No visible hardware. Made of bronze (**BZ**) with more than 90% copper or stainless steel SS316 (**SS**). Narrow beam (**NB**) TIR-lens made of PMMA. High power LED with 3000 Kelvin (**3K**) colour temperature. Different light distributions and colour temperatures can be achieved with accessory filters.

Clear covers made of 10mm thick PMMA sealed with Silicone gaskets. Mounted to any flat surface with ST4.8 wood screws. Protection class IP66

Impact protection IK10

Ta max = 40 degree Celsius

Ta life = 25 degree Celsius

weight 1.8kg (**BZ**), 1.6kg (**SS**)

Equipped with 30cm of flexible cable hanging from back of luminaire

Electrical specifications

220-240 VAC, 50/60Hz

9W (connected power 10.1W)

6W (connected power 7.4W)

Safety class I

Accessories

SPEKTOR_49 lenses and filters

SPEKTOR_49 Snoot

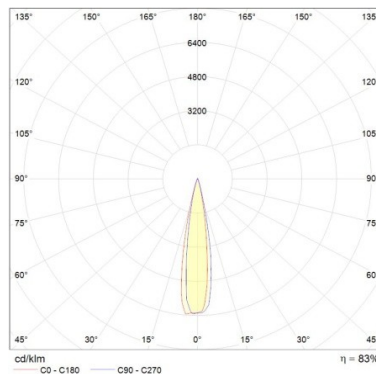
SPEKTOR_49 Glare Shield

Optical specifications

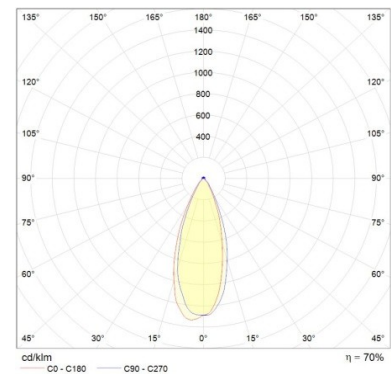
CRI >= 80, 3-step McAdams

min LED Lumen flux 723lm (6W)

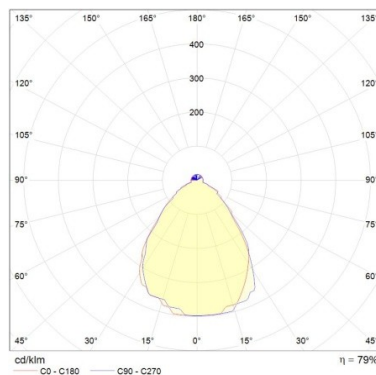
min LED-lumen flux 970lm (9W)



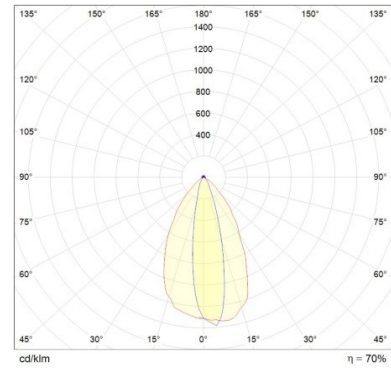
ERUCA_49



ERUCA_49+SPEKTOR_49-30x30



ERUCA_49+SPEKTOR_49-80x80



ERUCA_49+SPEKTOR_49-60x10